



## DATA SHEET

**Product:** Evo Cab

**Product Code:** 03-10005

Doc Iss: 03



Note: Computer, Monitor, Keyboard & Mouse Not included

**Telephone:** 0118 453 9444 **Email:** sales@evocarts.co.uk

**Address:** Unit 6, Headley Park Nine, Headley Road East Woodley, Reading, RG5 4SQ

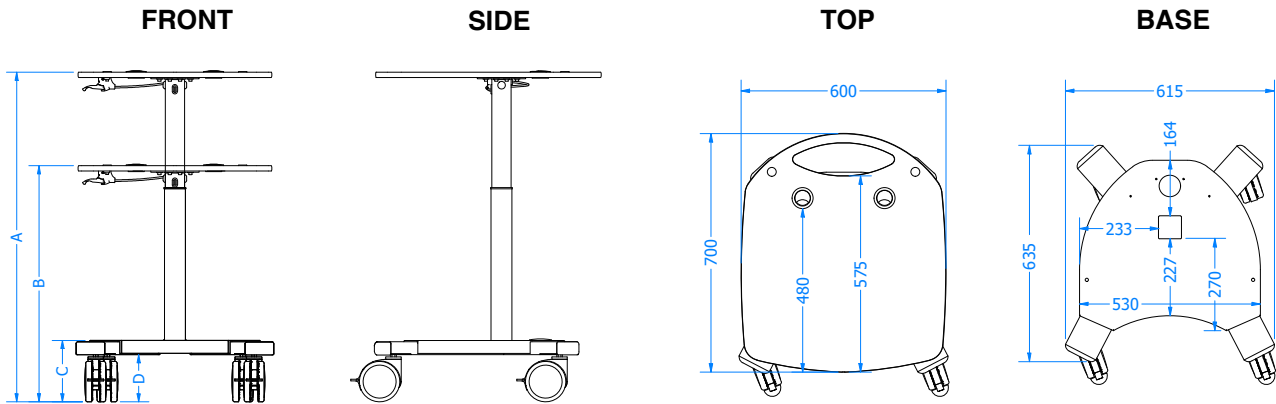


# DATA SHEET

Product: Evo Cab

Product Code: 03-10005

## Dimensions: Millimetre (mm)



DIMENSION:	A	B	C	D
Single Castor:	1035	795	240	205
Dual Castor:	1020	780	240	190

### Core Key Features:

- Height Adjustable (range is 240mm as standard)
- Lever positioned on the left or right
- Large HPL top with rear handle 20kg max load (*other load options available*)
- Heavy duty steel base, ergonomic curved front recess
- Cable entry holes on both top and base
- Accessory mounting holes on both top and base
- 4 off braking swivel castors (dual wheel only)
- High ground clearance
- Material(s): HPL, Aluminium, Steel, Plastic
- Finish(s): Anodised, Powder Coat Black Grey RAL7021 (*other colours are available*)
- Weight: 61kg

### Accessories Key Features

- Fully adjustable monitor arm,
  - Vesa 75 & 100 compliant
  - Post length options 100, 200, 300, 400, 500 and 700mm
  - Easy rotate between portrait and landscape
  - Suggested screen size: 27" (inch)
  - Max load: 12kg
- Keyboard Panel
  - Fully adjustable under worktop keyboard surface
  - Height adjustment of 170mm travel
  - Tilt the keyboard panel +/- 15°
  - Swivel left/right +/- 20°
  - Full length gel wrist rest
  - Max Load 1.5kg
- Mouse Panel
  - Position on the left or right
  - Swivel the panel under the top when not in use
  - Max load 1kg



## DATA SHEET

**Product:** Evo Cab

**Product Code:** 03-10005

---

- Storage Tray
  - Storage W500xD205xH68mm
  - Max load: 10kg
- Cabinet
  - Locking door
  - Ventilation on each side
  - Rear cable entry holes
  - Optional 19" rack brackets (8U, Depth:190mm)
  - Optional 120mm fan brackets (fans not supplied)
  - Optional internal shelf
  - Optional Vesa PC bracket
- Rear Cable Tray
  - Internal storage for small electronic devices, PDU, Cables, etc
  - Removable rear cover
  - Flexible cable chain connected to cart top
  - Front cable entry

### Cleaning

- Refer to the Evo Carts cleaning guide for detailed information
- Tested active agents
  - ✓ Detergent & Disinfectants
  - ✓ Alcohol Based
  - ✓ Ammonia
  - ✓ Chlorine

### Operation and Maintenance

- Secure any loose items before moving.
- Carefully lift castors over large thresholds.
- Periodic general inspection, check fixings are secure, check free movement of any moving part.

While every effort is made to ensure the accuracy of our information, Evo Carts accept no liability for the accuracy of the information contained in this document and reserve the right to modify the specifications or data contained herein without prior notification.