



DATA SHEET

Product: Evo Dual

Product Code: 03-10003

Doc Iss: 04



Note: Computer, Monitors, Keyboard & Mouse Not included

Telephone: 0118 453 9444 **Email:** sales@evocarts.co.uk

Address: Unit 6, Headley Park Nine, Headley Road East Woodley, Reading, RG5 4SQ

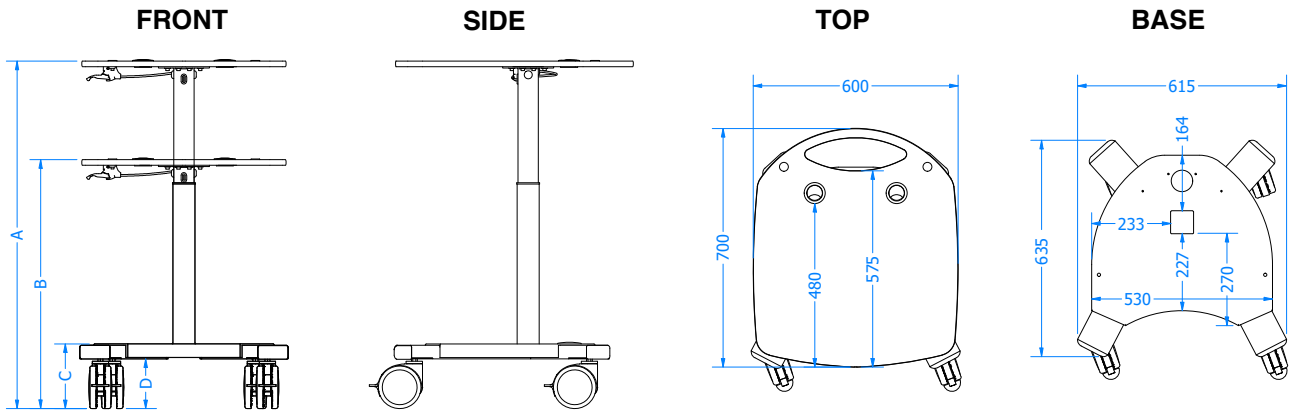


DATA SHEET

Product: Evo Dual

Product Code: 03-10003

Dimensions: Millimetre (mm)



DIMENSION:	A	B	C	D
Single Castor:	1035	750	205	165
Dual Castor:	1020	735	190	150

Core Key Features:

- Height Adjustable (range is 290mm as standard)
- Lever positioned on the left or right
- Large High Pressure Laminate (HPL) top with rear handle 20kg max load (*other load options available*)
- Heavy duty steel base, ergonomic curved front recess
- Cable entry holes on both top and base
- Accessory mounting holes on both top and base
- 4 off braking swivel castors (dual wheel only)
- High ground clearance
- Material(s): HPL, Aluminium, Steel, Plastic
- Finish(s): Anodised, Powder Coat Black Grey RAL7021 (*other colours are available*)
- Weight: 49kg

Accessories Key Features

- Fully adjustable monitor arm,
 - Vesa 75 & 100 compliant
 - Post length options 100, 200, 300, 400, 500 and 700mm
 - Easy rotate between portrait and landscape
 - Suggested screen size (each): 24" (inch)
 - Max load: 12kg
- Keyboard Panel
 - Fully adjustable under worktop keyboard surface
 - Height adjustment of 170mm travel
 - Tilt the keyboard panel +/- 15°
 - Swivel left/right +/- 20°
 - Full length gel wrist rest
 - Max Load 1.5kg
- Mouse Panel
 - Position on the left or right
 - Swivel the panel under the top when not in use
 - Max load 1kg



DATA SHEET

Product: Evo Dual

Product Code: 03-10003

- Shelf

Height adjustable

Depth adjustment of 10mm allowing for cable routing of electrical accessories

W520xD220mm

Max Load: 10kg

- Rear Cable Tray

Internal storage for small electronic devices, PDU, Cables, etc

Removable rear cover

Flexible cable chain connected to cart top

Front cable entry

Cleaning

- Refer to the Evo Carts cleaning guide for detailed information

- Tested active agents

- ✓ Detergent & Disinfectants

- ✓ Alcohol Based

- ✓ Ammonia

- ✓ Chlorine

Operation and Maintenance

- Secure any loose items before moving.

- Carefully lift castors over large thresholds.

- Position dual monitors with screens facing one another over the centre of the cart top before moving.

- Periodic general inspection, check fixings are secure, check free movement of any moving part.